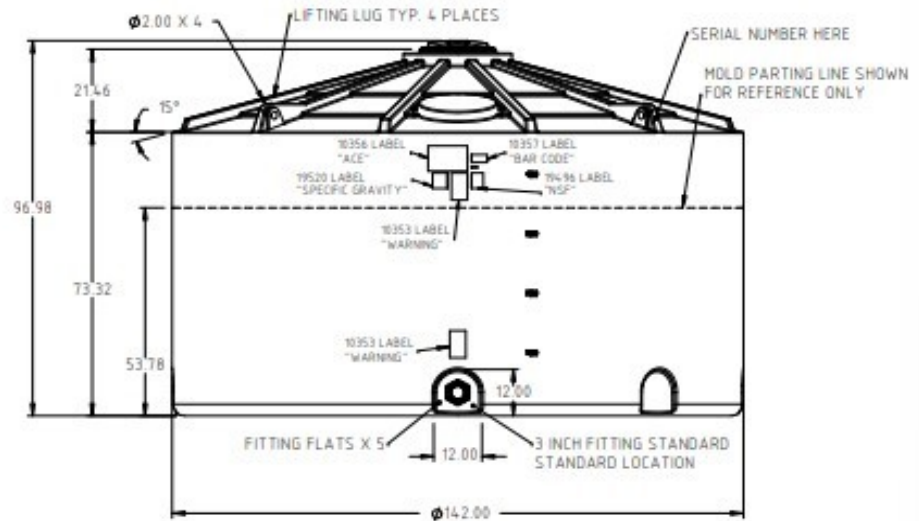
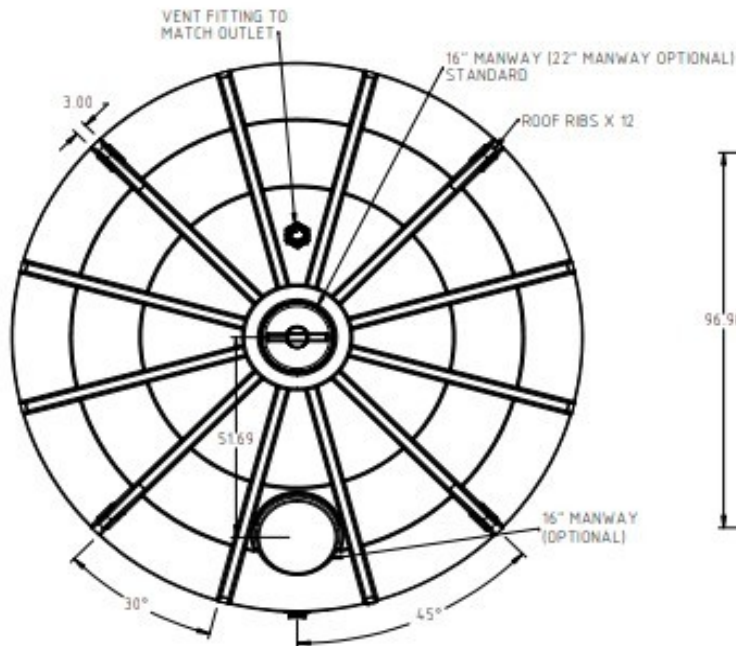



Copyright: All information furnished within this document, electronic file or design correspondence is the property of Den Hartog Industries, Inc. and shall not be used, disclosed to others or copied without the expressed written consent of Den Hartog Industries, Inc.



		DRAWN / DATE		MATERIAL		 <p>Den Hartog INDUSTRIES, INC.</p> <p><i>Ace Roto-Mold Injection Molding Blow Molding Sowjoy</i></p> <p>4010 HOSPERS DRIVE S. BOX 425, HOSPERS, IOWA 51238-0425</p>
		ADH 7/19/13		10538 2 MELT		
		APPROD. / DATE				
REV	DESCRIPTION	BY / DATE	CON	REH/7/30/13		NOTES: 1) WHITE, BLACK, OR YELLOW COLOR 2) 15 SP + 0.45 WALL 1.7 SP + 0.53 WALL
ALL DIMENSIONS ARE IN DECIMAL INCHES TOLERANCES UNLESS OTHERWISE SPECIFIED		THIRD ANGLE PROJECTION ANSI Y32.1		SHOT WEIGHT: 838.00 LBS S.G. 15 950.00 LBS S.G. 1.7		
POLYETHYLENE		METAL		SHIPPING WEIGHT: 872.00 LBS S.G. 15 952.00 LBS S.G. 1.7		DESCRIPTION 4995 GALLON GUSSET TOP TANK
±1% @ 68°F		DECIMAL ± .025" FRACTION ± 1/4" ANGLE ± 1°		FINISH		
				SCALE		PART NO. GV4995-142
				N.S.		